

→
REF. HZ-3870S
ELECTRIC PEDICURE CHAIR



TECHNICAL FEATURES



Length:	187 cm
Width	
With armrest:	81 cm
Without armrest:	58 cm
Height:	61-106 cm
Weight:	83 kg
Max. Load:	200 kg
Motors:	3
Upholstery:	PU ○ ●

CERTIFICATIONS



- 2014/30/EU Electromagnetic Compatibility
- 2014/35/EU Low Voltage Directive

MOTOR FUNCTIONS



- Height (flat position): 61-106 cm
- Trendelenburg: (15° / max. height = 123 cm / min. height = 55 cm)
- Backrest 90° inclination

MANUAL FUNCTIONS



- Headrest inclination and ±18 cm extendable
- Footrest (75° up and down by gas lift / 90°right-left) inclination and ±13,5 cm extendable

INCLUDES



- Hand Controller

ACCESSORIES



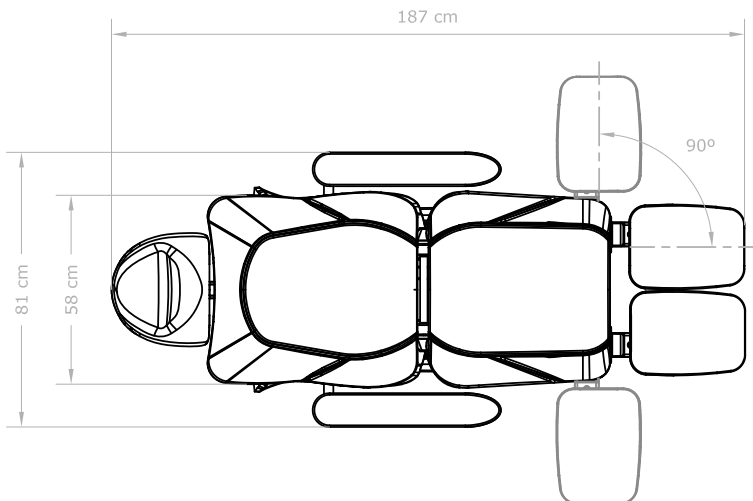
- IOT Hole Headrest
- NEB 3 Foot Controller
- LEO Foot Bowl
- Bed Cover

Sadira

→
TECHNICAL DATA SHEET

sonia®
BEAUTY CONCEPT

→
REF. HZ-3870S
ELECTRIC PEDICURE CHAIR



KG 200 kg
max

