

PODIATRY



- PODIATRY CABINETS
- PODIATRY CHAIRS
- ILLUMINATION
- STOOLS
- ASPIRATION
- COMPRESSORS

“ When you choose Namrol,
you choose something more
than a podiatry chair or cabinet.



**MORE THAN TWO DECADES
PRODUCING EQUIPMENT
OF VERY HIGH QUALITY**

Our designers and engineers work together with a common goal, to **manufacture** the most prestigious and reliable equipment. This has made Namrol **one of the leading international companies in the podiatry sector.**



**SANITARY PRODUCT
MANUFACTURER
LICENSE 6438-PS**



Namrol is the only company prepared to **design, develop, manufacture and market** a complete podiatry clinic.

INDEX

PODIATRY
CABINETS

9



PODIATRY
CABINET ACCESORIES

51



ILLUMINATION

56



PODIATRY
CHAIRS

63



STOOLS

95



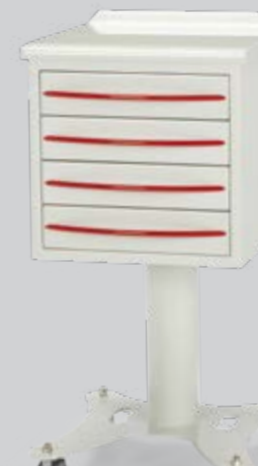
PODIATRY CHAIR
ACCESORIES

99



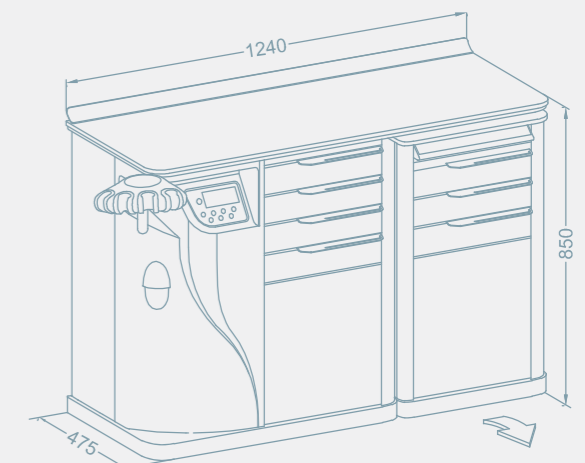
FURNITURE

105



TECH
DATA

101





GO AHEAD IS OUR COMMITMENT

Namrol presents the future of podiatry chairs and high-end podiatry cabinets. They are the beginning of a new design language, a new idea of ergonomics and a new level of quality.

A podiatrist in a white coat is operating a Futura podiatry cabinet. The cabinet is white and features three handpieces: a silver one with a blue tip, a silver one with a gold tip, and a silver one with a blue tip. The cabinet has a control panel with several buttons and a small screen. The brand name 'Futura' is visible on the cabinet. The background shows a clinical setting with a purple chair and a white wall.

PODIATRY CABINETS

TECHNOLOGICAL INNOVATION, ERGONOMIC
FLEXIBILITY AND FUNCTIONAL DESIGN

Namrol proposes a complete range of treatment units, with hanging hoses or superior recovery instruments, as well as left-handed models, satellite, furniture and arm versions.

DUNA

THE MAXIMUM EXPRESSION IN PODIATRY EQUIPMENT

Duna adds a new dimension both to the clinic and to the work done in it, challenging the conventional and offering a performance that did not seem possible in a podiatry team.





Smart or Full Touch console

Duna offers two possibilities, the Smart console with a classic keyboard with LED display and you can also choose the latest generation Full Touch console with 7" display.

Control pedal

All the functions selected in the control panel can be activated by the pedal, thus you will have your hands free. There is also the possibility of having a pedal with integrated speed regulation.

Well structured, simple and clear

The display allows the reading and regulation of the revolutions, the direction of rotation of the micromotor and the percentage speed in the case of the turbine. When an instrument is picked up, the settings of the chosen instrument are automatically selected.

The best position for each patient

Optionally, an additional module can be incorporated for the wireless control of chair movements from the console.

INTUITIVE AND EASY-TO-USE CONTROLS

By means of the wide sensitive touch screen you will control your unit even more intuitively, you can visualize and select at any time the parameters of the instruments, the functions of the unit and the chair. The software warns the user of the need to replace the vacuum bag and other maintenance processes.



DRAWER MODULE

Innovative design of handles integrated in the front, fruit of the constant search for functional and ergonomic solutions that guarantee maximum work comfort. Guide system with self-closing compensated. Doors, drawers, front and structure designed to ensure a high level of acoustic comfort. It presents an innovative approach in the choice of solutions and space organization.

Soft and silent closing

Namrol incorporates the Sofmotion cushioning system. With Sofmotion, the drawers and door close smoothly and quietly, regardless of momentum and weight.

Personalization

Generate with colors and shapes an environment where your patients and you feel comfortable. The design indicates to its patients current and progress, key factors to achieve the confidence and fidelity of the patients.

Bright and durable surfaces

Materials chosen according to the highest durability requirements in a clinical environment. Resistant while easy to clean.

FUTURA PLUS



VERSATILE TO ANY WORK STYLE

Futura has been imitated and copied, but in the end it remains unique and unrepeatable. Designed and manufactured with the most avant-garde design. The characteristics of its features, the simplicity of use and the perfect integration of the instruments, with the smt digital electronics system, make it an unbeatable unit of work.



QUALITY IN ALL DETAILS

The design indicates current and progress, key factors to achieve trust and fidelity of patients. The lacquered pieces of the body of the equipment and the harmonic lines acquire a unique aspect.

Bright and durable surfaces

Materials chosen according to the highest durability requirements in a clinical environment. Resistant while easy to clean.

Instrument console

The optimal maneuverability of the console of the team favors the maintenance of a correct and natural posture. Stylized and practical, the design of the Futura instrument console allows quick access to instruments. Its configuration of hanging hoses offers a wide range of the instrument making it very manageable.



Well structured, simple and clear

The display allows quick reading of the revolutions, the direction of rotation of the micromotor and the percentage speed in the case of the turbine. When an instrument is picked up, the settings of the chosen instrument are automatically selected.



Work Memories

Frequently used settings (for example: number of revolutions of the instruments) can be stored and retrieved comfortably at any time simply by picking up the instrument.



Control pedal

All the functions selected in the control panel can be activated by the pedal, thus you will have your hands free. There is also the possibility of having a pedal with integrated speed regulation.



Cleaning the suction tubes

We have designed an innovative automatic cleaning system for the suction pipes that guarantees the efficient operation of the system and a more hygienic treatment environment. The circuit is automatically cleaned every time we hang the instrument.

INTUITIVE CONTROL PANEL

The control keyboard manages all the functions of the unit, achieving maximum simplicity and total information on the LCD screen. The keys ensure a simple sanitization at the same time as a quick adjustment of the instruments and the functions of the unit with automatic selection when the instrument is picked up. Easy pre-selection reading of the set speed of the micromotor in rpm. and the direction of rotation. It incorporates two work memories for each instrument.



Solid surface

The table top manufactured in non-porous Quirofibra helps to avoid the penetration of liquids and facilitates cleaning and disinfection.



Automatic opening without handle

The door without handle is opened without effort by a slight pressure on the front. To close the door, simply press it lightly.



Easy access

Access to the dust deposit is made from the front door to facilitate the replacement of the bag. The bottle of liquids incorporates an automatic system of depressurization to facilitate the filling.

SOFT AND SILENT CLOSING

Namrol incorporates the Sofmotion cushioning system. With Sofmotion, the drawers and door close smoothly and quietly, regardless of momentum and weight. Door, drawers, front and structure designed to ensure a high level of acoustic comfort. It presents an innovative approach in the choice of solutions and space organization.



Easy displacement

The additional drawer module incorporates wheels that facilitate the best positioning inside the chiropody cabinet.



Auxiliary trays

The removable auxiliary trays, located in the upper part of the drawer unit, allow the instruments to be close to the work area, saving unnecessary movements.



Solid surface

The table top manufactured in non-porous Quirofibra helps to avoid the penetration of liquids and facilitates cleaning and disinfection. Namrol incorporates the Sofmotion cushioning system. With Sofmotion, the drawers and door close smoothly and quietly, regardless of momentum and weight.



A CABINET WITH CHARACTER

Designed for the most demanding professionals who always want the maximum, to be one step ahead. Optionally you can transform Futura Plus into Futura XL. An innovative system with a removable module, which can be placed near the chair for better ergonomics during treatment.

STYLO

DURATION AND RELIABILITY GUARANTEED

Designed for the most demanding professionals who always want the maximum, to be one step ahead. Optionally you can transform Futura Plus into Futura XL. An innovative system with a removable module, which can be placed near the chair for better ergonomics during treatment.





QUALITY IN ALL DETAILS

The design conveys current and progress, key factors to achieve the trust and fidelity of patients. The lacquered parts of the body of the equipment and the harmonic lines acquire a unique aspect.

Left-handed version

Same features and features as the right-handed version.

Intuitive control panel

The control keyboard manages all the functions of the unit, achieving maximum simplicity. The keys ensure a simple sanitization at the same time as a quick adjustment of the instruments and the functions of the unit with automatic selection when the instrument is picked up. It incorporates two work memories for each instrument.

Instrument console

The optimal maneuverability of the console of the team favors the maintenance of a correct and natural posture. Stylized and practical, the design of Stylo's instrument console allows quick access to instruments. Its configuration of hanging hoses offers a wide range of the instrument making it very manageable.

Cleaning the suction tubes

We have designed an innovative automatic cleaning system for the suction pipes that guarantees the efficient operation of the system and a more hygienic treatment environment. The circuit is automatically cleaned every time we hang the instrument.



Solid surface

The table top manufactured in non-porous Quirofibra helps to avoid the penetration of liquids and facilitates cleaning and disinfection.

Automatic opening without handle

The door without handle is opened without effort by a slight pressure on the front. To close the door, simply press it lightly.

Easy access

Access to the dust deposit is made from the front door to facilitate the replacement of the bag. The bottle of liquids incorporates an automatic system of depressurization to facilitate the filling.

SOFT AND SILENT CLOSING

Namrol incorporates the Softmotion cushioning system. With Softmotion, the drawers and door close smoothly and quietly, regardless of momentum and weight. Door, drawers, front and structure designed to ensure a high level of acoustic comfort. It presents an innovative approach in the choice of solutions and space organization.

MAXIMA



A DIFFERENT CONCEPT

Maxima has in it the best ergonomic solutions, to guarantee the podiatrist high performance, optimal functionality and a class status to your clinic.



DRAWER MODULE

Innovative design of handles integrated in the front, fruit of the constant search for functional and ergonomic solutions that guarantee maximum work comfort. Guide system with self-closing compensated. Doors, drawers, front and structure designed to ensure a high level of acoustic comfort. It presents an innovative approach in the choice of solutions and space organization.



Compact volumes

Maximum comfort of work. Guide system with self-closing compensated. Doors, drawers, front and structure designed to ensure a high level of acoustic comfort. It presents an innovative approach in the choice of solutions and space organization.



Few keys, many features

Namrol has adopted the technology of simplicity, which allows many features and information to be obtained with few keys. The keys under the membrane allow to manage all the main functions, always keeping the state of the instruments under control and in a simple way.



Instruments that can be handled almost effortlessly

The adjustable instrument console has been conceived for the professional who works with superior recovery instruments. The rotation of the support and the movement of the hoses on guides, allows positioning the console in the right place.

ACTIV



A GREAT TEAM, IN A COMPACT VERSION

Concentrated expression of the well-known Namrol treatment units. Personal in terms of possibilities and convincing in terms of performance. With efficient technologies and modern instrumentation solutions.



FUNCTIONALITY AND VERSATILITY

Under the simplicity of its design, it hides a treatment unit of great technical complexity, achieved by its monoblock metal construction and the best ergonomic solutions, to ensure the podiatrist high performance and optimal functionality in your clinic. The optimal maneuverability of the console of the team favors the maintenance of a correct and natural posture.

Well structured, simple and clear

The control keyboard manages all the functions of the unit. The keys ensure a simple sanitization at the same time as a quick adjustment of the instruments and the functions of the unit with automatic selection when the instrument is picked up. It incorporates two work memories for each instrument.

Solid surface

The table top manufactured in non-porous Quirofibra helps to avoid the penetration of liquids and facilitates cleaning and disinfection. It incorporates a handle for the movement of the unit.

Mobility

Optionally Activ can incorporate a system of wheels with individual locking, facilitating movement in several rooms of the clinic.

Connections

On the back it incorporates a 230V connection, ideal for the incorporation of magnifying lamps.



EPSYLON^{PLUS}

*FREEDOM OF MOVEMENT
CONCENTRATED IN LITTLE SPACE*

Epsilon Plus has been imitated and copied, but in the end it is still unique and unrepeatable. The concept of arm mounted on the chair, in combination with the adjustable instrument console, make it an unbeatable unit of work for those cabinets that do not have too much space.



Smart management concept

The membrane keyboard technology allows intuitive and efficient instrument handling. The Epsylon Plus keyboard also incorporates the chair controls.

Bright and durable surfaces

Materials chosen according to the highest durability requirements in a clinical environment. Resistant while easy to clean.

Auxiliary tray

The removable auxiliary tray, located in the lower part of the console, allows to have the instruments near the work area, saving unnecessary movements.

Easy and logical

The auxiliary tray incorporates a glove dispenser at the bottom.

FLEXIBILITY AND ADAPTABILITY

Thanks to the concept of arm mounted on the chair, the podiatrist is in optimal conditions to work in a small space. The strong point of Epsylon Plus is its mobility, flexibility and adaptability to all operational situations.



External deposit

Access to the independent water supply tank is carried out from the outside to facilitate its replacement or simple filling.



Closeness to the patient

In all situations, comfort has a constant and shared role.



Compact and balanced in size

The instrument console can be placed near the patient's foot, which facilitates the reach of instruments and the keyboard.



Left-handed version

Same features and features as the right handed version.

INTUITIVE AND EASY-TO-USE CONTROLS

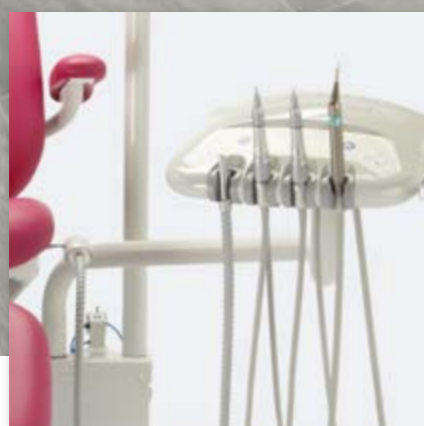
By means of the wide sensitive touch screen you will control your unit even more intuitively, you can visualize and select at any time the parameters of the instruments, the functions of the unit and the chair. The software warns the user of the need to replace the vacuum bag and other maintenance processes.



EPSYLON

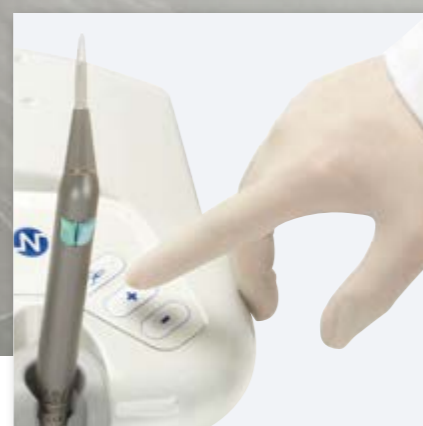
LIGHTWEIGHT AND VERSATILE

Always in the exact place. The concept of arm mounted on the chair, in combination with the adjustable instrument console, is the best solution for those cabinets that do not have too much work space.



Adjustable instrument console

Console with double articulation able to rotate around its axis to reach the most ideal position in relation to the type of treatment performed, providing maximum freedom of movement. The functional arrangement of the hanging hose instruments in the console ensures an immediate and comfortable grip. The successive return of them occurs intuitively and precisely, maintaining a quick and easy work.



Smart management concept

The membrane keyboard technology allows an intuitive and efficient operation. When an instrument is picked up, the settings of the chosen instrument are automatically selected. The keyboard layout allows a quick adjustment of the instruments and functions of the unit with reading of the pre-selection of the set speed of the micromotor in rpm. and direction of rotation.



Auxiliary tray for an agile work in its daily use

The removable auxiliary tray, located on the side of the console, allows to have the instruments near the work area, saving unnecessary movements.



External deposit

Access to the independent water supply tank is carried out from the outside to facilitate its replacement or simple filling.

FLEXIBILITY AND ADAPTABILITY

Thanks to the concept of arm mounted on the chair, the podiatrist is in optimal conditions to work in a small space. The strong point of Epsilon is its mobility, flexibility and adaptability to all operational situations.

PODIATRY CABINET ACCESSORIES

YOUR CUSTOMIZED CABINET,
UNIQUE AS YOU

Choose among the multiple options of additional equipment that best suit your work.



INSTRUMENTOS INNOVADORES

La perfecta integración de los instrumentos con el sistema de electrónica SMT de Namrol, asegura control total y fiabilidad en el uso. Potencia controlada, óptimo ajuste de velocidad y fiabilidad contrastada, esto le ofrece la selección de instrumentos **Namrol**.



GT40 Micromotor

The GT40 electric micromotors offer high performance. One of the most effective and light micromotors in podiatry. Work without vibrations up to 40,000 rpm., With a high torque at low revolutions.

MC2IR Micromotor

Electric micromotor with internal spray, reliable and resistant. More than remarkable performances thanks to a speed of 40,000 rpm.

NBX Micromotor

Electric micromotor with internal spray, reliable and resistant. Titanium outer body, ultra-compact and lightweight. Minimum generation of heat. More than remarkable performances thanks to a speed of 40,000 rpm.

MCX Micromotor

Brushless micromotor (brushless), maintenance-free with a large torque at low and high speeds between 1000 and 40,000 rpm. Thanks to its reduced size by 30%, it adapts perfectly to the hand and thus guarantees an optimal balance with a perfect weight distribution.

PM70 by NSK Hand piece

The PM70 handpiece is specially designed for use in podiatry. The sophisticated technology of ceramic bearings, increases the useful life and the good operation. No vibrations and very silent.

X65 Hand piece

Straight hand piece with internal spray, titanium body with Durocoat coating. No vibrations and very silent. Optionally you can incorporate LED lighting.

PM60 by Bien-Air Hand piece

Straight hand piece with internal spray, designed to withstand the great tensions in repeated lateral supports and maintain an incomparable precision. No vibrations and very silent.

Suction cannula

Made of anodized aluminum, it provides lightness and strength. For a clean and dust-free job.

Black Pearl turbine

Unsurpassed quality / price ratio. Designed to offer a power 310,000 rpm. and a robustness more than remarkable. As for the change of milling cutter, it is as simple thanks to the push button integrated in the head. Direct connection to 4-hole hose.

Spraytec 3F syringe

3 functions stainless steel syringe. Guaranteed operation thanks to the push button system that separates the drive from the air and water.



Led lamp with integrated HD camera

LED lamp with integrated video camera with FullHD resolution (1920x1080px) with autofocus, allowing you to see the work area with a 30x optical zoom. The potential of this tool, applied to the field of podiatry are remarkable: see the detailed image of the intervention, highlighting the details barely visible to the naked eye, increases the visual capabilities of the professional and relieves eye fatigue, leading to an important advance in the methodology of work. The use of the camera facilitates communication with the patient. In the diagnosis or treatment phase, the pathologies can be clearly shown, which helps an immediate understanding of the problem. During the treatment phase, the podiatrist can follow in real time or record the evolution of the intervention, after which it will be possible to evaluate the results of the work carried out.

19 "or 22" monitor with articulated arm

By choosing the double articulation arm, the professional can move the monitor and orient the screen within the operative area according to their own needs, improve communication with the patient, show the treatments performed and document the clinical history with images. The monitor is predisposed for wired connection to a PC, via HDMI connector.



Integrated removable keyboard

Provided with USB connection; It allows access to all the functions of the cabinet software without leaving the patient. It is resistant and is hidden in the unit, thus leaving a tabletop for free work.

MULTIMEDIA FOR YOUR CLINIC

The multimedia accessories for Namrol units, open a new vision that meets all expectations regarding modern communication for consultation. They help reduce diagnostic times, show and share the images with the patient, convince them to carry out the treatment

ALYA PODO

LED
TECH



Hygiene

The two handles are removable and can be sterilized.



3D rotation

The perfect balance, combined with the exclusive 3-D rotation system of the head on the optical axis, ensures the best orientation of the light source.



Perfect adjustment

The new electronic control of the illumination, activated with joystick, regulates the light in a continuous way, keeping the temperature of the color constant.

TECHNICAL CHARACTERISTICS

Light intensity	3.000 a 40.000 Lux
Color temperature	5000 K (day light)
Illumination	LED
Absorbed power	23VA

A large field of work

From the great experience of Namrol in podiatry Alya Podo was born, a lamp with a larger illuminated field of 30x20 cm. that make it the ideal lamp for podiatry. Thanks to the exclusive optical projector of reflected light, through the 258 small reflecting cells of each of the two parabolas, the direct vision of the 2 leds is avoided. Long lifetime and reduced power consumption thanks to advanced diode technology with fanless cooling.

MAIA

LED
TECH



Hygiene

The two handles are removable and can be sterilized.



Projection

The precise definition of the light source eliminates the risk of glare.



Perfect adjustment

The new electronic control of the illumination, activated with joystick, regulates the light in a continuous way, keeping the temperature of the color constant.

TECHNICAL CHARACTERISTICS

Light intensity	35.000 Lux
Color temperature	5000 K (day light)
Illumination	LED
Absorbed power	9VA

Polyvalent and functional

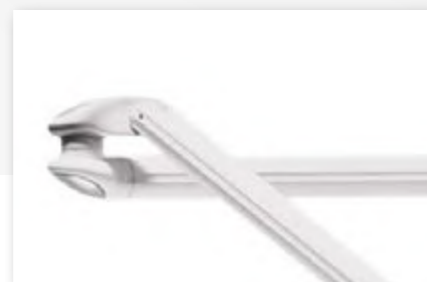
The new lamp, for those looking for high performance LED at a competitive price. Thanks to the exclusive optical projector of reflected light, through the 258 small reflecting cells of each of the two parabolas, the direct vision of the 2 LEDs is avoided, creating a totally uniform illuminated field of 175 x 100 mm. Long lifetime and reduced power thanks to advanced diode technology with fanless cooling.

EDI



Excellent lighting

The halogen light source is diffused through a double rear parabolic glass that guarantees a light without shadows.



Functionality and flexibility

Articulated arms that allow to easily orient the light, with smooth and precise movements.



Control electronics

On and off with switch located in the head, with forced ventilation system regulated by microprocessor.

TECHNICAL CHARACTERISTICS

Light intensity	8.000 a 25.000 Lux
Color temperature	5000 K
Illumination	HALÓGENA
Absorbed power	105VA

Very versatile

EDI is an advanced design lamp, which guarantees excellent illumination of the work area. The design combines ergonomics and simplicity of intervention, with smooth and rounded surfaces to facilitate cleaning.

ALYA + THEIATECH

**LED
TECH**


Intelligent control

On and off synchronized with the head, or by the push button integrated in the arm. Automatic storage of lighting.



Light support

Integrated in the back arm of Alya, THEIATECH has been conceived to work together with the operating light.



LED technology

La fuente luminosa de THEIATECH está formada por 54 LEDS que, a través de un específico difusor, producen un cono de luz en el entorno circundante.

TECHNICAL CHARACTERISTICS

Light intensity	3.000 a 50.000 Lux
Color temperature	5000 K (luz día)
Illumination	LED
Absorbed power	40VA

The artificial light closest to the sun

THEIATECH has been conceived to create a luminous zone of transition between the work area and the instrumentation area, balancing the illumination of the areas of the podiatric cabinet and reducing visual fatigue. Thanks to a complete illumination of the working area of between 15,000 and 50,000 lux, a constant focus of the eye is avoided and the iris contracts and dilates repeatedly. This overload of the visual apparatus is detrimental to the health of the eyes and can impair good health at work.

AEROBOX

POWER AND SILENCE UNITED



QUIRO-AIR

ONE OF THE QUIETEST COMPRESSORS ON THE MARKET



Powerful and durable

Turbine suction motor, with maximum dust extraction efficiency.



Adaptable

Optionally, Aerobox can be equipped with a cannula aspiration system.



Clean

The exchangeable bag system provides cleaning and convinces by a hygienic filter system.



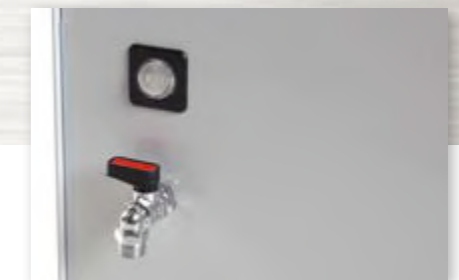
Hygiene

Quiro-Air Plus incorporates as standard a submicron filter (0.01 µm) filtering any particle in the supplied air.



Autonomous

Due to its low level of sound, it can be operated autonomously thanks to its simple plug-and-play features.



Compact

One of the main features is space saving due to its compact design.

TECH. CHARACTERISTICS

Pressure	1300 mm H2O
Flow	1.350 l/min.
Noise level	56 dB.
Absorbed power	3,1A

Careful professional aspiration Aerobox

Let yourself be convinced by a more powerful and at the same time more silent aspiration. Due to its small size, it is ideal for new installations or the update of existing installations. The use of a brushless suction motor, cancels mechanical friction and provides significantly longer engine operation. Compact steel structure with foamed interior, soundproof and antibacterial.

TECH. CHARACT.

TECH. CHARACT.	QUIRO-AIR	QUIRO-AIR PLUS
Air flow aspirated	65 l/min.	100 l/min.
Noise level	42 dB.	42 dB.
Absorbed power	0,50 kw.	0,75 kw.
Filtering	5 µm	0,01 µm

Quiro-air silent compressor

Namrol's new silent compressor (patent U9701105) produces quality compressed air, ideal to meet the demands of the podiatric clinic. It has a direct drive electric motor with built-in overload protection for maintenance-free operation. Manufactured with high quality components and materials, it is a reliable source of high quality air. These compressors are compact and flexible, and are available in two versions depending on size.



PODIATRY CHAIRS

EXCELLENT ERGONOMICS
IN ITS MOST ATTRACTIVE FORM

New generation armchairs that represent the result of a current design, a studied functionality and an attention to essential ergonomic aspects.

Omega



NOVA

QUALITY AND AESTHETICS TOGETHER

Namrol tiene una larga tradición de innovación en Podología. Creemos que la mejor manera de predecir el futuro es crearlo. Con Nova, creamos hoy una nueva forma de exclusividad. Gracias a innovaciones revolucionarias, una comodidad de referencia y un diseño contemporáneo.



FUNCTION AND SHAPE MEETS TOGETHER

A design with tenuous vintage touches that is accompanied by a design that puts ergonomics and comfort beforehand to enhance the welcoming feeling and well-being of the patient.

Smart management concept

The control pedal has buttons for direct action to the automatic memories and zeroing, which together with the easy-memory system for quick memory and recovery of work positions, maximizes functionality and simplicity of work.

Two-piece double leg loops

Leg with double support area for heel and calf. Extensible, with lateral opening, rise and fall compensated by gas piston.

Integrated headrest

You can easily move vertically to adapt it to people of different heights.

Color combination

The attractive contrast upholstery gives Nova padding a first class look.

SMART AND ADAPTABLE BACK

The seat is the starting point from which the patient rests on a completely ergonomic backrest, which facilitates total relaxation and comfort during the treatment



CHARACTERISTICS

TREATMENT CHAIR	NOVA 1	NOVA 2	NOVA 3	NOVA 4
Motors	1	2	3	4
Weight	94 Kg.	95 Kg.	96 Kg.	97 Kg.
Maximum lifting capacity	220 Kg.	225 Kg.	225 Kg.	225 Kg.
Upholstered thickness	7 - 10 cm.	7 - 10 cm.	7 - 10 cm.	7 - 10 cm.
Available colours	50 Combinations	50 Combinations	50 Combinations	50 Combinations
High gloss ABS housings	✓	✓	✓	✓
Turn 360° with lock	Opcional	✓	✓	✓
Extendable leg loops with side opening	✓	✓	✓	✓
2 Automatic memories	X	X	✓	✓
Automatic zeroing	✓	✓	✓	✓
Height movement	Electric	Electric	Electric	Electric
Movement of the seat - trendelemburg	Compensated with the rise	Compensated with the rise	Electric	Electric
Movement of the backrest	Gas shock absorber	Electric	Electric	Electric
Movement of the leg	Gas shock absorber	Gas shock absorber	Gas shock absorber	Electric
Ergonomic head	Integrated	Integrated	Integrated	Integrated
Removable rigid tray	Optional	Optional	Optional	Optional
Arm with lamp holder	Optional	Optional	Optional	Optional

TOP QUALITY COMPONENTS

Motors and control



Upholstery



Shock absorbers



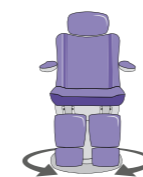
Upholstered arms with lowered synchronization with the movement of the backrest, folding independently.



The swivel base, the minimum height to the floor and the folding arms, facilitate a comfortable access to the patient.



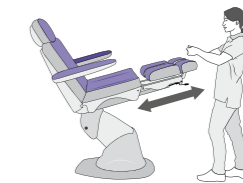
Anatomical backrest with low hardness foam, for a comfortable and relaxed treatment of patients.



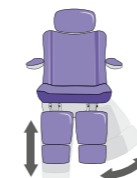
Swivel base
The base allows a 360° rotation for optimal work positioning.



The best position
Multiple movements to get the perfect position for each treatment.



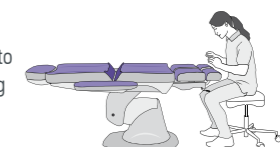
Foot treatment
With a position of maximum height of 1,300 mm. You can also work standing up.



Adaptable leg loops
Leg extensible, folding and with lateral opening.



Anti-roll system
Patented anti-roll system to prevent movements during patient entry or exit



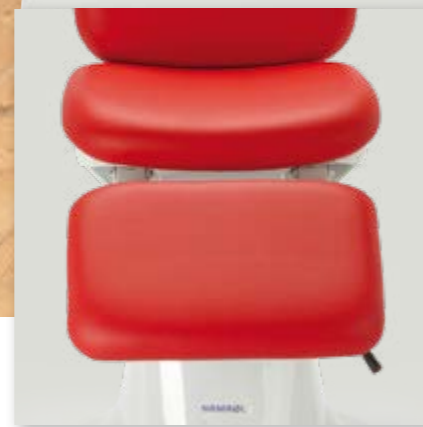
Space for the legs
The reduced design of the base provides more free space for the legs.

SIGMA



EVOLUTION AT THE SERVICE OF EFFICIENCY

Sigma has in it the best ergonomic and mobility solutions, to guarantee the chiroprapist and the patient high performance, optimal functionality, together with a robust dynamic and an innovative appearance.



Smart management concept

The control pedal has buttons for direct action to the automatic memories and zeroing, which together with the easy-memory system for quick memory and recovery of work positions, maximizes functionality and simplicity of work.

Premium padding

The padding with non-deformable polyurethane foam convinces not only for its high level of comfort, but also for its durability and good appearance over time.

Cushioned leg

Single leg, extendable with rise and fall compensated by double gas piston.

MAKE YOUR PATIENTS FEEL COMFORTABLE

Perfect combination of form and function. Its ergonomic design conforms to the shape of the patient's body and provides a firm and comfortable support. The seam-free upholstery provides a pleasant feel to the touch and can be easily cleaned and disinfected.

INDIVIDUAL POSITIONING AND ACCESS COMFORTABLE OF THE PATIENT

The unique collapsible leg facilitates patient access and provides a comfortable vertical sitting position for consultation exams and after a treatment.



CHARACTERISTICS

TREATMENT CHAIR	SIGMA 3	SIGMA 4
Motors	3	4
Weight	95 Kg.	97 Kg.
Maximum lifting capacity	225 Kg.	225 Kg.
Upholstered thickness	7 cm.	7 cm.
Available colours	18	18
High gloss ABS housings	✓	✓
Turn 360° with lock	✓	✓
Extendable leg loops with side opening	✓	✓
2 Automatic memories	✓	✓
Automatic zeroing	✓	✓
Height movement	Electric	Electric
Movement of the seat - trendelemburg	Electric	Electric
Movement of the backrest	Electric	Electric
Movement of the leg	Gas shock absorber	Electric
Ergonomic head	Opcional	Opcional
Removable rigid tray	Optional	Optional
Arm with lamp holder	Optional	Optional

TOP QUALITY COMPONENTS

Motors and control



Upholstery



Shock absorbers



Upholstered arms with lowered synchronization with the movement of the backrest, folding independently.



The swivel base, the minimum height to the floor and the folding arms, facilitate a comfortable access to the patient.



Anatomical backrest for a comfortable and relaxed treatment of patients. Adaptation of the chair to the height of the patient, which allows an individual and very comfortable positioning of the patient.



Swivel base
The base allows a 360° rotation for optimal work positioning.



The best position
Multiple movements to get the perfect position for each treatment.



Foot treatment
With a position of maximum height of 1,300 mm. You can also work standing up.



Adaptable leg
Extendable leg and folding



Anti-roll system
Patented anti-roll system to prevent movements during patient entry or exit



Space for the legs
The reduced design of the base provides more free space for the legs.



OMEGA

ERGONOMICS AND TECHNOLOGY

It is the answer to ergonomic and technological research in podiatry chairs. Omega meets all the needs of the podiatrist and the patient in a comfortable, safe and modern armchair.



Smart management concept

The control pedal has buttons for direct action to the automatic memories and zeroing, which together with the easy-memory system for quick memory and recovery of work positions, maximizes functionality and simplicity of work.



Premium padding

The padding with non-deformable polyurethane foam convinces not only for its high level of comfort, but also for its durability and good appearance over time.



Cushioned leg loops

Double leg, extendable with rise and fall compensated by double gas piston.

FIRST CLASS TREATMENTS

Omega stands out for the perfect combination of form and function. Its ergonomic design conforms to the shape of the patient's body and provides a firm and comfortable support. The seam-free upholstery provides a pleasant feel to the touch and can be easily cleaned and disinfected.

APOYO LUMBAR ASIMÉTRICO

Las formas han sido concebidas a partir del estudio de la ergonomía, la fisonomía y la cinemática del cuerpo humano para una postura óptima durante el tratamiento.



CHARACTERISTICS

TREATMENT CHAIR	OMEGA 3	OMEGA 4
Motors	3	4
Weight	95 Kg.	97 Kg.
Maximum lifting capacity	225 Kg.	225 Kg.
Upholstered thickness	7 cm.	7 cm.
Available colours	18	18
High gloss ABS housings	✓	✓
Turn 360° with lock	✓	✓
Extendable leg loops with side opening	✓	✓
2 Automatic memories	✓	✓
Automatic zeroing	✓	✓
Height movement	Electric	Electric
Movement of the seat - trendelemburg	Electric	Electric
Movement of the backrest	Electric	Electric
Movement of the leg	Gas shock absorber	Electric
Ergonomic head	Opcional	Opcional
Tray with removable leg protector	Optional	Optional
Removable rigid tray	Optional	Optional
Arm with lamp holder	Opcional	Opcional

TOP QUALITY COMPONENTS

Motors and control



Upholstery



Shock absorbers



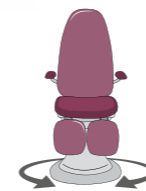
Upholstered arms with lowered synchronization with the movement of the backrest, folding independently.



The swivel base, the minimum height to the floor and the folding arms, facilitate a comfortable access to the patient.



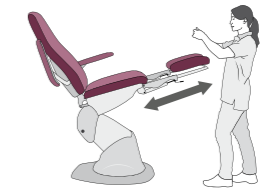
Anatomical backrest for a comfortable and relaxed treatment of the patient.



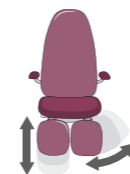
Swivel base
The base allows a 360° rotation for optimal work positioning.



The best position
Multiple movements to get the perfect position for each treatment.



Foot treatment
With a position of maximum height of 1,300 mm. You can also work standing up.



Adaptable leg loops
Leg extensible, folding and with lateral opening



Anti-roll system
Patented anti-roll system to prevent movements during patient entry or exit



Space for the legs
The reduced design of the base provides more free space for the legs.

ELYSE

ERGONOMICS AND AESTHETICS TOGETHER

Armchair of new generation that represents the result of a contemporary design, studied functionality and a lot of attention to essential ergonomic aspects.



Smart management concept

The control pedal has buttons for direct action to the automatic memories and zeroing, which together with the easy-memory system for quick memory and recovery of work positions, maximizes functionality and simplicity of work.



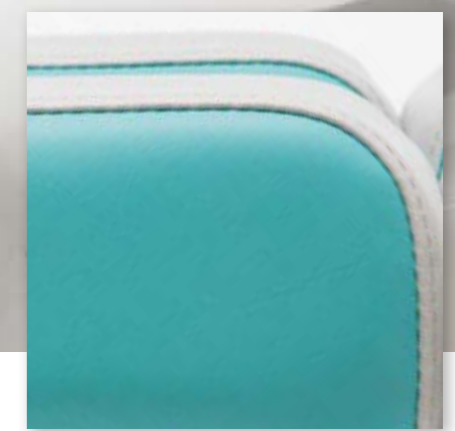
Two-piece double leg loops

Leg with double support area for heel and calf. Extensible, with lateral opening, rise and fall compensated by gas piston.



Integrated headrest

You can easily move vertically to adapt it to people of different heights.



Color combination

The attractive contrast upholstery gives the Elyse padding a first class look.

RELIABILITY AND COMFORT

Aesthetics with faint vintage touches that is accompanied by a design that puts ergonomics and comfort before the patient's welcoming sensation and comfort.

SMART AND ADAPTABLE BACK

The seat is the starting point from which the patient rests on a completely ergonomic backrest, which facilitates total relaxation and comfort during the treatment



CHARACTERISTICS

TREATMENT CHAIR	ELYSE 3	ELYSE 4
Motors	3	4
Weight	96 Kg.	97 Kg.
Maximum lifting capacity	225 Kg.	225 Kg.
Upholstered thickness	7 - 10 cm.	7 - 10 cm.
Available colours	50 Combinations	50 Combinations
High gloss ABS housings	✓	✓
Extendable leg loops with side opening	✓	✓
2 Automatic memories	✓	✓
Automatic zeroing	✓	✓
Height movement	Electric	Electric
Movement of the seat - trendelemburg	Electric	Electric
Movement of the backrest	Electric	Electric
Movement of the leg	Gas shock absorber	Electric
Ergonomic head	Integrated	Integrated
Removable rigid tray	Optional	Optional
Arm with lamp holder	Optional	Optional



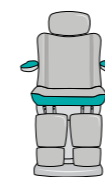
Upholstered arms with lowered synchronization with the movement of the backrest, folding independently.



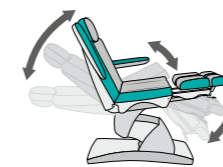
The minimum height to the ground and the folding arms, facilitate a comfortable access to the patient.



Anatomical backrest with low hardness foam, for a comfortable and relaxed treatment of patients.



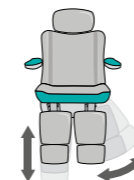
Stability
The broad base allows all types of treatments with complete stability.



The best position
Multiple movements to get the perfect position for each treatment.



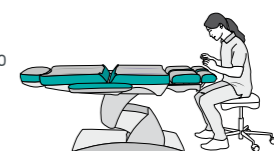
Foot treatment
With a position of maximum height of 1,300 mm. You can also work standing up.



Adaptable leg loops
Leg extensible, folding and with lateral opening.



Anti-roll system
Patented anti-roll system to prevent movements during patient entry or exit



Space for the legs
The reduced design of the base provides more free space for the legs.

TOP QUALITY COMPONENTS

Motors and control



Upholstery



Shock absorbers



BETA, DELTA & DELTA PLUS

QUALITY AND AESTHETICS

THE OMEGA DESIGN BASES AND THE PROVISIONS OF RELIABLE AND RELIABLE ARMCHAIRS OF 1 AND 2 ENGINES MEET

CHARACTERISTICS

TREATMENT CHAIR	BETA	DELTA	DELTA PLUS
Motors	1	2	2
Weight	93 Kg.	95 Kg.	95 Kg.
Maximum lifting capacity	200 Kg.	200 Kg.	200 Kg.
Upholstered thickness	7 cm.	7 cm.	7 cm.
Available colours	18	18	18
High gloss ABS housings	✓	✓	✓
Turn 360° with lock	Optional	✓	✓
Extendable leg loops with side opening	✓	✓	✓
Automatic zeroing	✓	✓	✓
Height movement	Electric	Electric	Electric
Movement of the seat - trendelemburg	Compensated with the rise	Compensated with the rise	Electric
Movement of the backrest	Electric	Electric	Gas shock absorber
Movement of the leg	Gas shock absorber	Gas shock absorber	Gas shock absorber
Ergonomic head	Optional	Optional	Optional
Tray with removable leg protector	Optional	Optional	Optional
Removable rigid tray	Optional	Optional	Optional
Single leg	Optional	Optional	Optional
Arm with lamp holder	Optional	Optional	Optional



**TOP
QUALITY
COMPONENTS**

Motors and control



Upholstery



Shock absorbers



BETA



DELTA



DELTA PLUS



PENTA

GUARANTEED DURATION AND RELIABILITY

Robust dynamics, refined appearance and impressive work pleasure.
With these keys Penta, redefines the essence of the armchairs of 1 engine.

FAST MOVEMENTS, SILENT AND RELIABLE

An armchair, for professional use, that incorporates aesthetics and versatility. Penta is committed to design, soft and rounded shapes that suggest comfort and make it perfect for any current clinic.



CHARACTERISTICS

TREATMENT CHAIR	PENTA
Motors	1
Weight	85 Kg.
Maximum lifting capacity	225 Kg.
Upholstered thickness	7 cm.
Available colours	16
High gloss ABS housings	✓
Turn 360° with lock	✓
Extendable leg loops with side opening	✓
Automatic zeroing	✓
Height movement	Electric
Movement of the seat - trendelenburg	Compensated with the rise
Movement of the backrest	Gas shock absorber
Movement of the leg	Gas shock absorber
Ergonomic head	Optional
Tray with removable leg protector	Optional
Removable rigid tray	Optional
Single leg	Optional

**TOP
QUALITY
COMPONENTS**

Motors and control



Upholstery



Shock absorbers



Ergonomic folding arms independently.



The swivel base, the minimum height to the floor and the folding arms, facilitate a comfortable access to the patient.



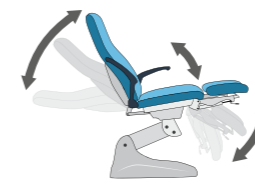
Anatomical backrest for a comfortable and relaxed treatment of patients. Adaptation of the chair to the height of the patient, which allows an individual and very comfortable positioning of the patient.



Swivel base
The base allows a 140° turn for optimal work positioning.



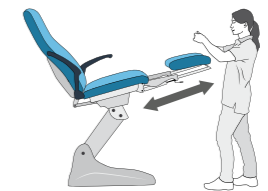
Adaptable leg loops
Leg extensible, folding and with lateral opening.



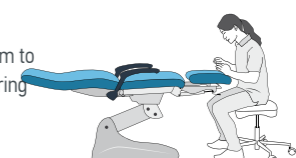
The best position
Multiple movements to get the perfect position for each treatment.



Anti-roll system
Patented anti-roll system to prevent movements during patient entry or exit



Foot treatment
With a position of maximum height of 1,100 mm. You can also work standing up.



Space for the legs
The reduced design of the base provides more free space for the legs.

STOOLS

ERGONOMICS AND FREEDOM
OF MOVEMENT

Design and ergonomic, comfort assured. Get to
know our innovative models with the Namrol quality
guarantee



ERGONOMICS FOR AN IDEAL POSTURE

New generation stools that represent the result of a current design and attention to essential ergonomic aspects. A guarantee for the back during the exercise of his profession.



Cosmos

The ergonomics of the Cosmos chair has been designed to meet the needs of the clinical user. Therefore, among its features are the permanent contact backing, skay upholstery, without easy cleaning seams and height adjustment by gas piston. Soft, double wheels, mounted on a chromed base with 5 support points.

Monza

Monza responds to the most demanding clinics since it brings together everything a cabinet might need. Half-moon backrest, skay upholstery, easy cleaning and adjustment of the height by gas piston. Soft, double wheels, mounted on a chromed base with 5 support points.

Corsa

Ergonomic stool designed to keep the spine straight, upholstery in skay, without easy cleaning seams and height adjustment by gas piston. Soft, double wheels, mounted on a chromed base with 5 support points. The color can be combined with the range of colors of armchairs.

ACCESSORIES AND CHAIRS COLORS

GREAT POSSIBILITY OF INTEGRATION AND
COMBINATION

Choose from the options of additional accessories and colors that best suit
your work and the decoration of your clinic

ACCESORIOS SILLONES

Complemente su sillón con los accesorios adicionales



Controller

Manual control system with easy-to-clean keypad. (only valid for armchairs of 3 and 4 engines)



Roll holder

Ergonomic support for easy roll placement (maximum length 59 cm.)



Lamp holder magnifying glass

Ergonomic support for easy roll placement (maximum length 59 cm.)



Support for light bulb

System attached to the chair for mounting lamps with articulated arm.



Tray with protector

Waste collection trays with leg protector and quick fastening system.



Tray

Waste collection trays with leg protector and quick fastening system.



Ergonomic head

Maximum comfort and support for your patients. Adjustable in height



High quality material.
Long durability, pleasant to the touch
and resistant to blood, as well as
disinfection products.

Colors



The color samples are
indicative and may have
slight variations due to
printing.

UPHOLSTERY

Our senses allow us to appreciate quality and style. The view records all the shades of color. Touch explores surfaces and textures. Precise stitching and hand-stitching provide contrasts and interesting details. This perfection makes the Namrol upholstery an experience for all the senses.



FURNITURE

A PRACTICAL WORK ENVIRONMENT

Choose from among the multiple furniture options that best suit your cabinet

AUXILIARY MODULES

Linear forms in combination with the curves and the design of the countertop offer an innovative line, and refined style, manufactured in Quirofibra® non-porous and without joints, everything is designed for easy cleaning and maximum germ reduction.

Drawer module with rovable base



Drawer module with rovable base



Combination of drawers module with sink



QUALITY DETAILS

Aluminum

Resistance, lightness and durability over time.

Bielastic Skay

Guarantees comfort, quality and durability. Absence of seams for total hygiene.

SMT Electronics

Total control of all the functions of the unit.

Injected polyurethane

Non-deformable material, very resistant to abrasion and shock.

Quirofiber

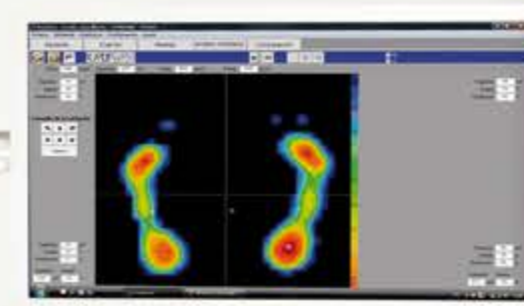
Surface of high chemical resistance, with zero porosity.

Steel

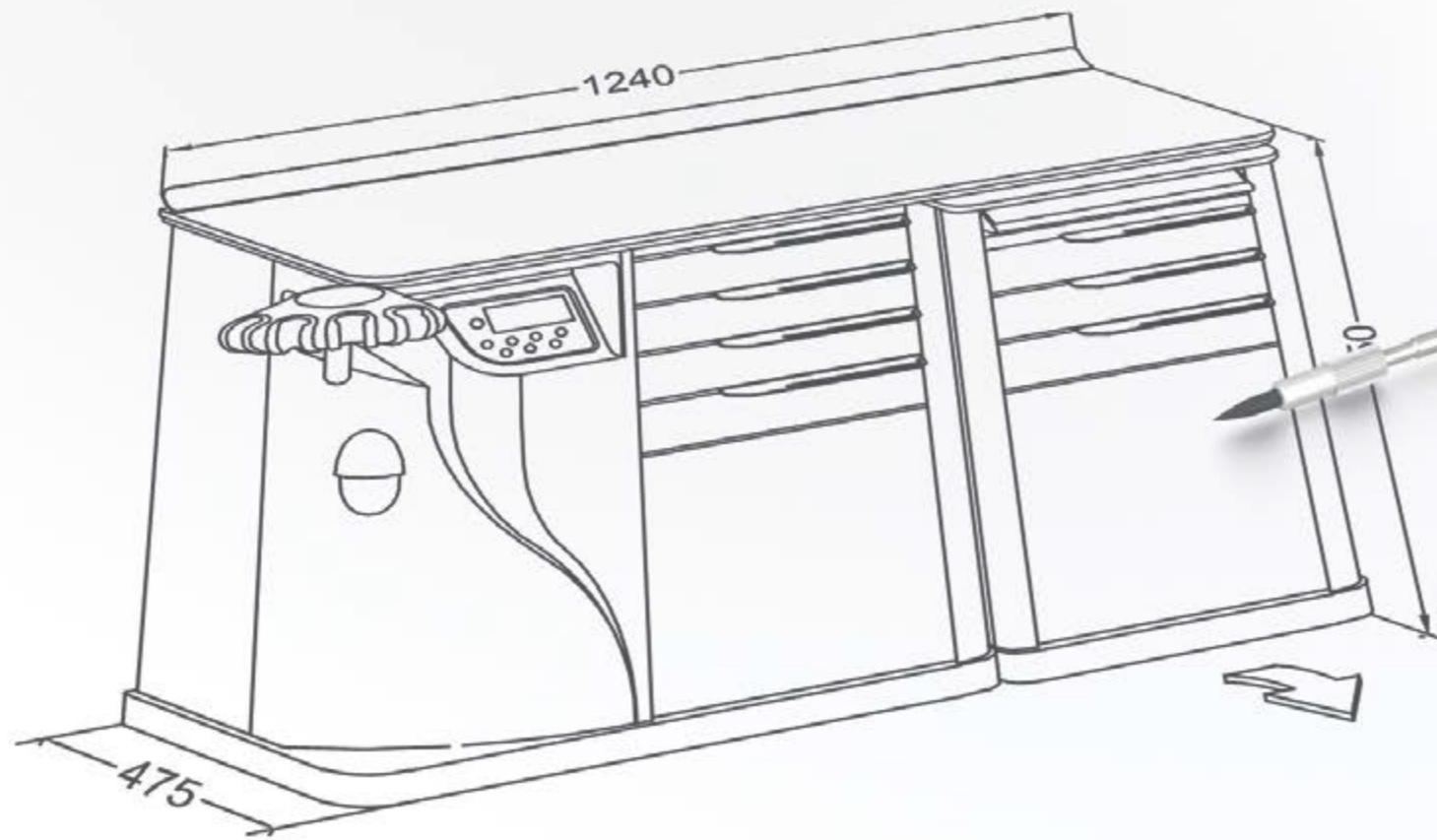
Steel structure with anti-corrosion treatment and double-layered paint in the oven.

ABS+PMMA

Robustness, brightness and high resistance to external aggressions.

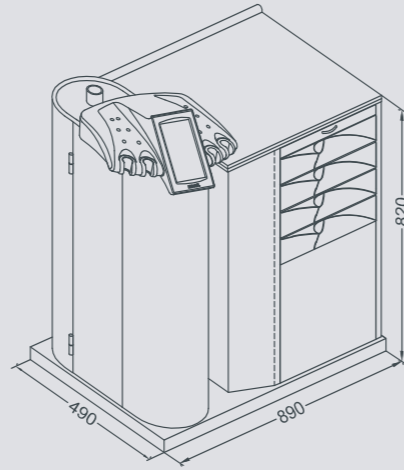


DIMENSIONS AND TECHNICAL DATA



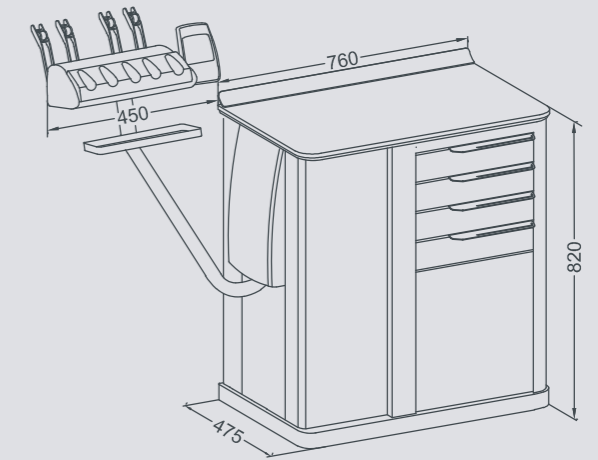
DUNA

POWER SUPPLY: 230 V. 50/60 HZ
 ABSORBED POWER: 4 A.
 WEIGHT: 90 KG.
 MAXIMUM NUMBER OF INSTRUMENTS: 4
 INTERNAL PRESSURE: AIR 3,5 BAR / 5,5 BAR. WATER SPRAY 2,5 BAR



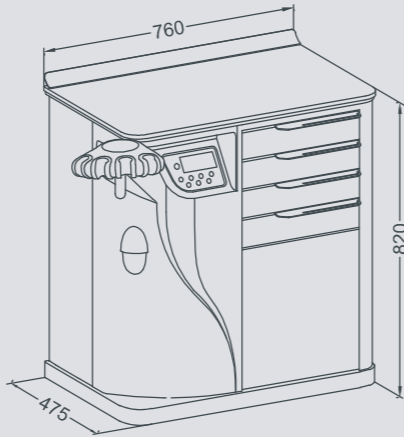
MAXIMA

POWER SUPPLY: 230 V. 50/60 HZ
 ABSORBED POWER: 4 A.
 WEIGHT: 85 KG.
 MAXIMUM NUMBER OF INSTRUMENTS: 5
 INTERNAL PRESSURE: AIR 3,5 BAR / 5,5 BAR. WATER SPRAY 2,5 BAR



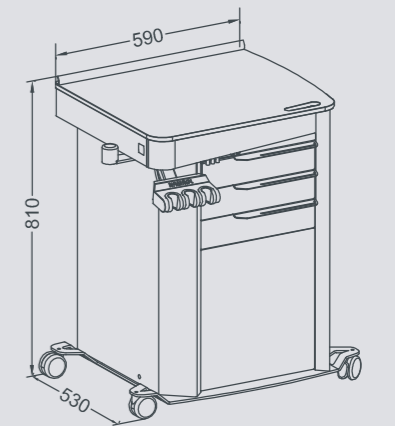
FUTURA PLUS

POWER SUPPLY: 230 V. 50/60 HZ
 ABSORBED POWER: 4 A.
 WEIGHT: 85 KG.
 MAXIMUM NUMBER OF INSTRUMENTS: 4
 INTERNAL PRESSURE: AIR 3,5 BAR / 5,5 BAR. WATER SPRAY 2,5 BAR



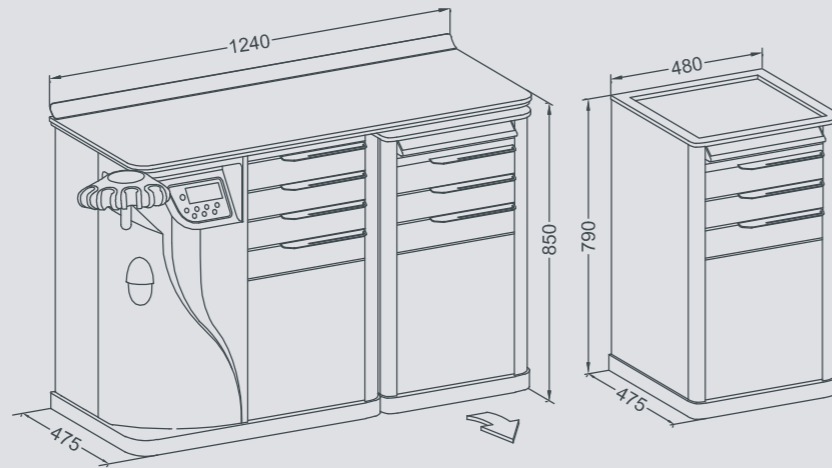
ACTIV

POWER SUPPLY: 230 V. 50/60 HZ
 ABSORBED POWER: 3 A.
 WEIGHT: 57 KG.
 MAXIMUM NUMBER OF INSTRUMENTS: 3
 INTERNAL PRESSURE: AIR 3 BAR. WATER SPRAY 2,5 BAR



FUTURA XL

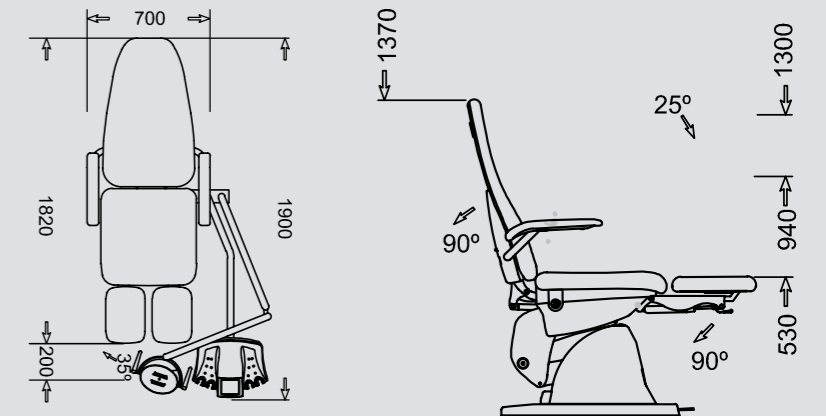
ALIMENTACIÓN ELÉCTRICA: 230 V. 50/60 HZ
 ABSORBED POWER: 4 A.
 WEIGHT: 105 KG.
 MAXIMUM NUMBER OF INSTRUMENTS: 4
 INTERNAL PRESSURE: AIR 3,5 BAR / 5,5 BAR. WATER SPRAY 2,5 BAR



EPSYLON PLUS

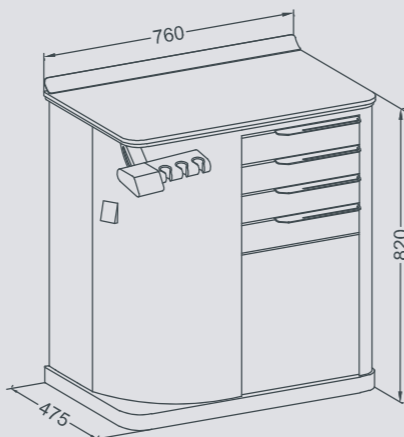
(Adaptable to Omega and Sigma)

POWER SUPPLY: 230 V. 50/60 HZ
 ABSORBED POWER: 4 A.
 WEIGHT: 90 KG.
 MAXIMUM NUMBER OF INSTRUMENTS: 4
 INTERNAL PRESSURE: AIR 3,5 BAR / 5,5 BAR. WATER SPRAY 2,5 BAR



STYLO

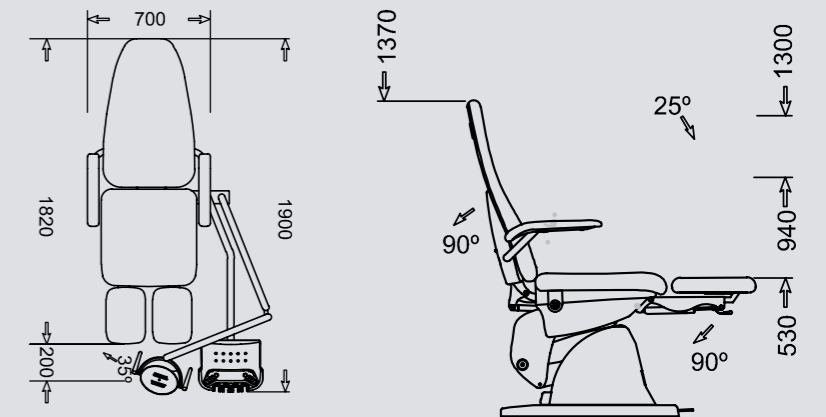
POWER SUPPLY: 230 V. 50/60 HZ
 ABSORBED POWER: 4 A.
 WEIGHT: 85 KG.
 MAXIMUM NUMBER OF INSTRUMENTS: 3
 INTERNAL PRESSURE: AIR 3,5 BAR / 5,5 BAR. WATER SPRAY 2,5 BAR



EPSYLON

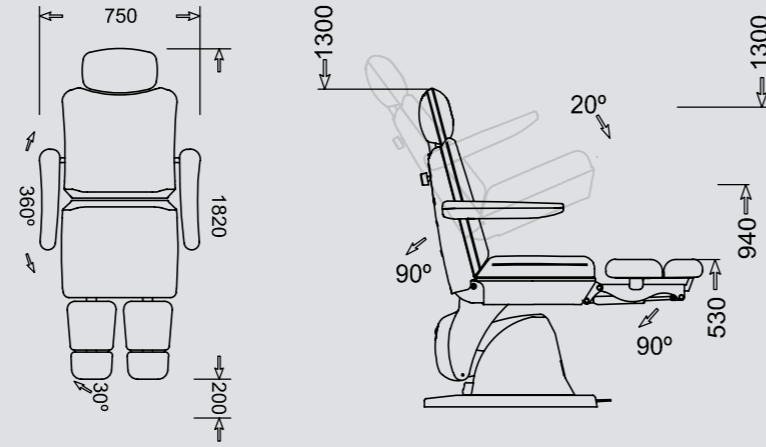
(Adaptable to Beta and Delta)

POWER SUPPLY: 230 V. 50/60 HZ
 ABSORBED POWER: 4 A.
 WEIGHT: 90 KG.
 MAXIMUM NUMBER OF INSTRUMENTS: 4
 INTERNAL PRESSURE: AIR 3,5 BAR / 5,5 BAR. WATER SPRAY 2,5 BAR



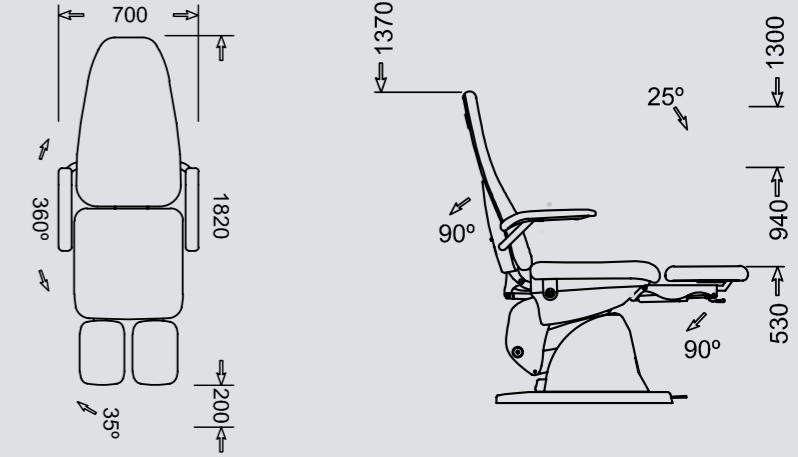
NOVA

POWER SUPPLY: 230 V, 50/60 HZ
 ABSORBED POWER: 3 A.
 WEIGHT: 90 KG.
 MOVEMENT: ELECTROMECHANICAL
 MOTORS AND ELECTRONICS: LINAK
 MAXIMUM LOAD: 200 KG



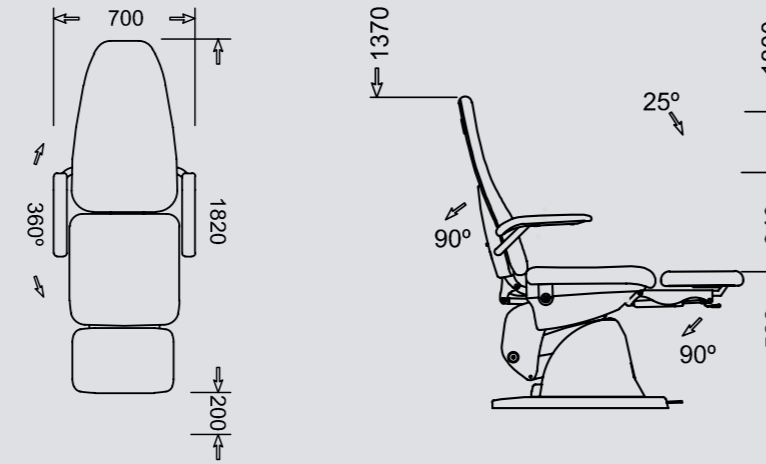
DELTA PLUS

POWER SUPPLY: 230 V, 50/60 HZ
 ABSORBED POWER: 3 A.
 WEIGHT: 90 KG.
 MOVEMENT: ELECTROMECHANICAL
 MOTORS AND ELECTRONICS: LINAK
 MAXIMUM LOAD: 200 KG



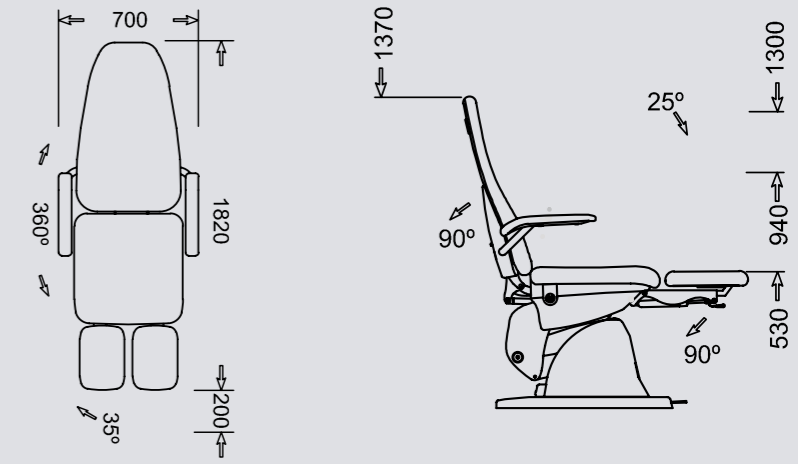
SIGMA

POWER SUPPLY: 230 V, 50/60 HZ
 ABSORBED POWER: 3 A.
 WEIGHT: 90 KG.
 MOVEMENT: ELECTROMECHANICAL
 MOTORS AND ELECTRONICS: LINAK
 MAXIMUM LOAD: 200 KG



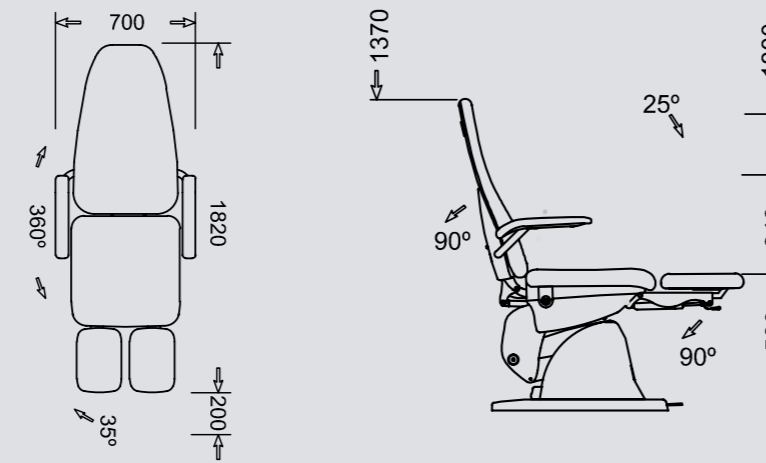
DELTA

POWER SUPPLY: 230 V, 50/60 HZ
 ABSORBED POWER: 3 A.
 WEIGHT: 90 KG.
 MOVEMENT: ELECTROMECHANICAL
 MOTORS AND ELECTRONICS: LINAK
 MAXIMUM LOAD: 200 KG



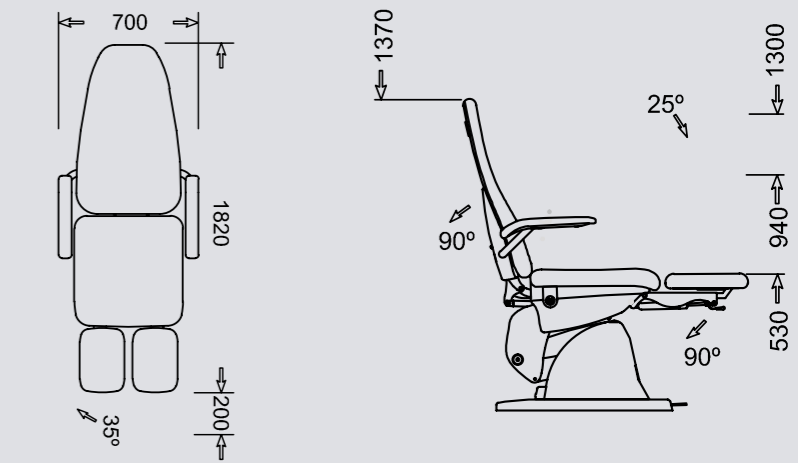
OMEGA

POWER SUPPLY: 230 V, 50/60 HZ
 ABSORBED POWER: 3 A.
 WEIGHT: 90 KG.
 MOVEMENT: ELECTROMECHANICAL
 MOTORS AND ELECTRONICS: LINAK
 MAXIMUM LOAD: 200 KG



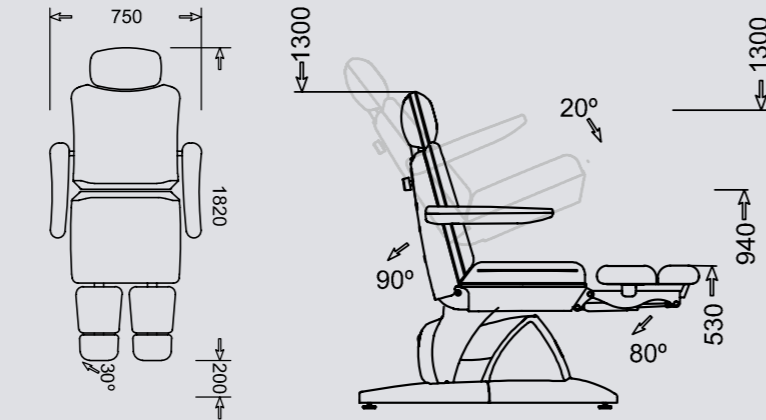
BETA

POWER SUPPLY: 230 V, 50/60 HZ
 ABSORBED POWER: 3 A.
 WEIGHT: 90 KG.
 MOVEMENT: ELECTROMECHANICAL
 MOTORS AND ELECTRONICS: LINAK
 MAXIMUM LOAD: 200 KG



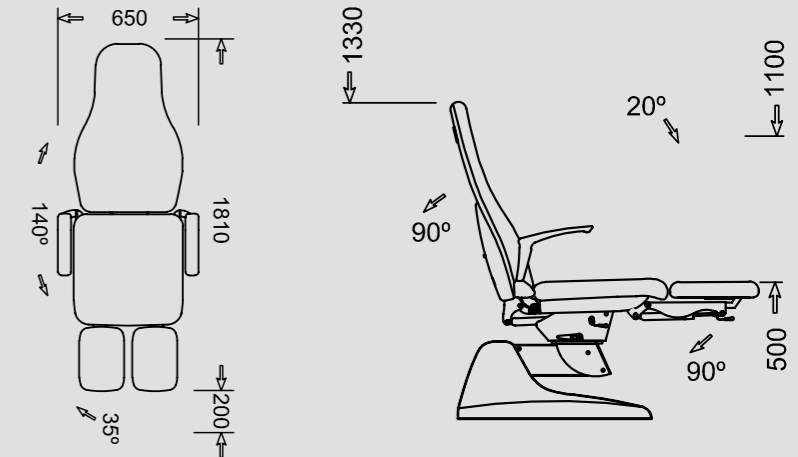
ELYSE

POWER SUPPLY: 230 V, 50/60 HZ
 ABSORBED POWER: 3 A.
 WEIGHT: 90 KG.
 MOVEMENT: ELECTROMECHANICAL
 MOTORS AND ELECTRONICS: LINAK
 MAXIMUM LOAD: 200 KG



PENTA

POWER SUPPLY: 230 V, 50/60 HZ
 ABSORBED POWER: 3 A.
 WEIGHT: 90 KG.
 MOVEMENT: ELECTROMECHANICAL
 MOTORS AND ELECTRONICS: LINAK
 MAXIMUM LOAD: 200 KG





A wide distribution network, with delegations and after-sales service, allows us to reach the entire national territory. Ensuring the best advice of our products and guaranteeing the best service.



NAMROL BARCELONA

C/. Drets Humans, 17-19
08870 Sitges (Barcelona)
e-mail: info@namrol.com

NAMROL VALENCIA

Pza. Profesor Tamarit Olmos, 20 - local 12
46010 Valencia
e-mail: ventasl@namrol.com

NAMROL MADRID

C/. Puenteáreas, 13
28002 Madrid
e-mail: ventasm@namrol.com

NAMROL SEVILLA

C/. Juan Sebastián Elcano, 15
41011 Sevilla
e-mail: ventasa@namrol.com

NAMROL OVIEDO

Avda. Pedro Masaveu, 9
33007 Oviedo
e-mail: comercial@namrol.com